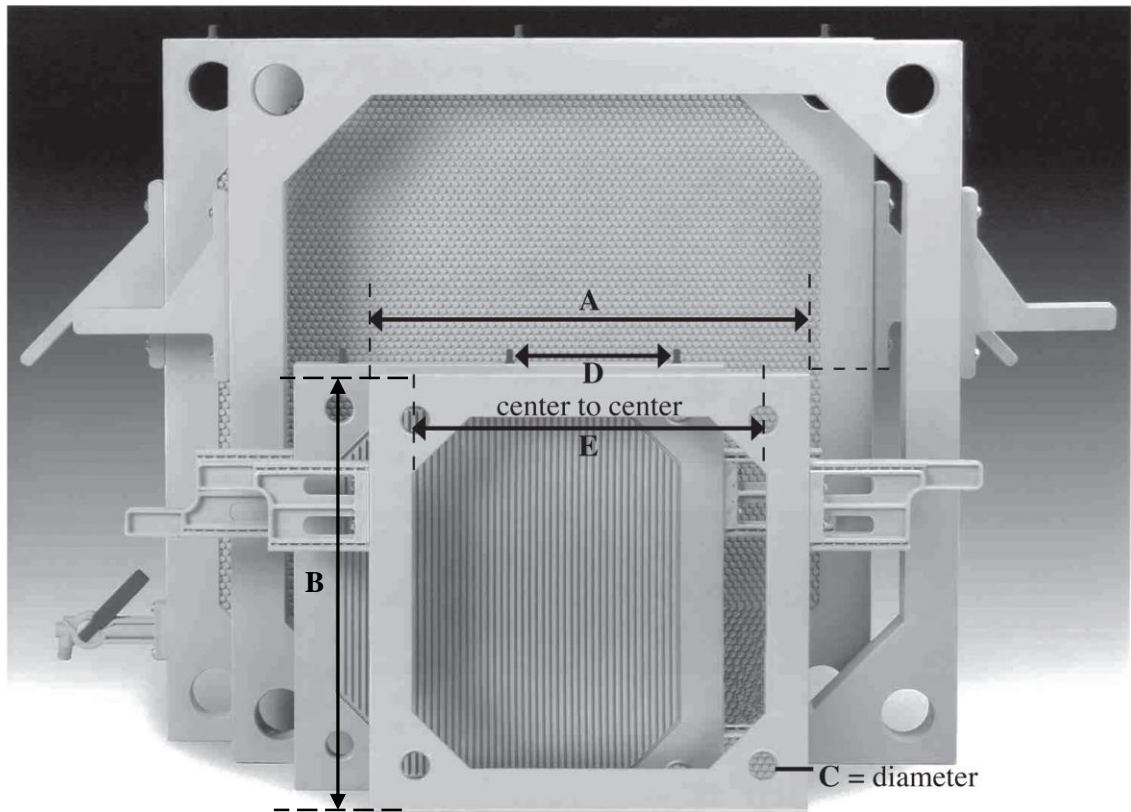


Plate & Frame Drawing



A	Plate Width	
B	Plate Height	
C	Corner Eye Diameter	
D	Distance Between Pegs	
E	Distance Between Eye Centers (center to center)	
F	Plate Thickness	
G	Frame Thickness	
H	Number of pegs 3,5 or NA	

Pure Filtration, LLC
 65 Industrial Dr.
 Dover, NH 03820
 603-343-9200
www.purefiltrationllc.com